



MICROBOOST HIGH PRESSURE COMPRESSOR

FOR CYLINDER FILLING:
OXYGEN, NITROGEN AND OTHER INERT DRY GASES

RIX Industries' MICROBOOST High Pressure Compressors are engineered specifically for safe and reliable gas compression. The MICROBOOST Compressor is a three-stage reciprocating compressor designed using a stepped, oil-free piston. The MICROBOOST incorporates design features for a variety of commercial, industrial and military Oxygen, Nitrogen, and other dry inert gas applications, with maximum discharge pressure of 2,200 PSIG / 152 BARG. The MICROBOOST can also fill up to 25 "D" cylinders (15 cu ft / 425 liters) in a 24-hour period. The crankshaft is driven by a speed reducing gearbox on a compact, lightweight, and portable crankcase. Heat exchangers, crankcase, and compression cylinders are air-cooled.

Features:

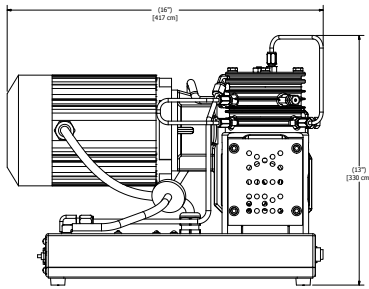
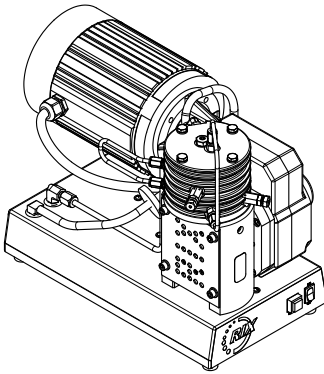
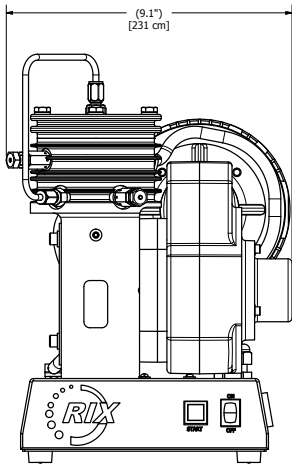
- DESIGNED AND MADE IN THE USA
- OIL-FREE DESIGN
- OXYGEN CLEANED FOR OXYGEN SERVICE
- SAFETY RELIEF VALVES
- HIGH PRESSURE SAFETY SHUT DOWN
- COMPACT
- PORTABLE
- LOW RPM FOR LONG SERVICE LIFE
- ISO 9001 AND AS9100 CERTIFIED
- CE (EUROPEAN CONFORMITY) CERTIFICATION
- FIRST DEVELOPER OF MICROSIZED COMPRESSORS
- INDUSTRY LEADER IN INNOVATIVE OIL-FREE COMPRESSOR TECHNOLOGY
- PREFERRED CHOICE OF OEMs AND GOVERNMENT ENTITIES
- INDUSTRIAL-COMMERCIAL AND MILITARY USES WORLDWIDE

RELIABILITY, INNOVATION,
EXPERIENCE



APPLICATIONS:

- HIGH PRESSURE CYLINDER FILLING
- AVIATION OXYGEN TRANSFILLING
- RESEARCH AND DEVELOPMENT
- PNEUMATIC PRESSURE TESTING
- GAS SAMPLING



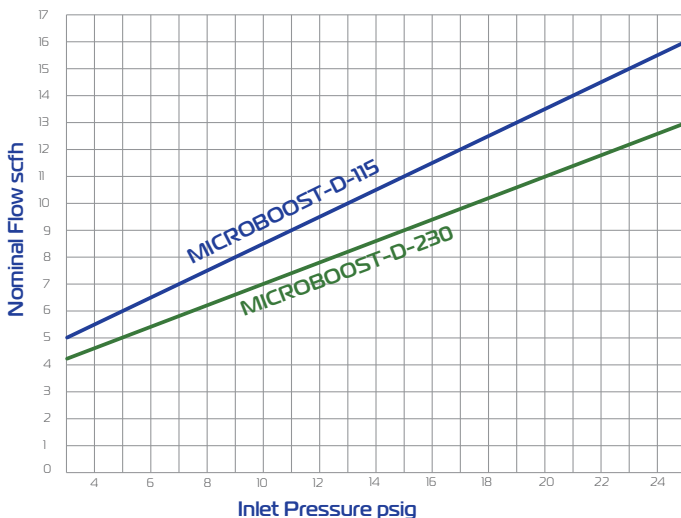
MICROBOOST-D-115

SIZE	17" L x 9" W x 13" H / 432mm L x 229mm W x 330mm H
WEIGHT	62 Lbs. / 28 Kgs.
SHIP DIMENSIONS AND WEIGHT	24"l x 24"w x 24"h, 80 Lbs. / 36 Kgs.
INLET PRESSURE	3-25 psig / .2-1.7 barg
DISCHARGE PRESSURE	2200 psig / 152 barg
FLOW CAPACITY	3.7-16 scfh 1.7-7.5 L/M
DISCHARGE PORT	1/4" female NPT
COOLING	Air
APPLICATIONS	Oxygen and Inert Dry Gas Cylinder Filling
MOTOR	1/2HP / .37kW
DRIVE	Direct, 10 - 1 Gear Reduction
POWER REQUIREMENTS	110-120 VAC, 60 Hz.
MOISTURE CONTENT	Minus 40F Dew Point
CONTROLS	High Pressure Safety Shut Down
OPERATION	Continuous
FILTRATION	0.2 Micron

MICROBOOST-D-230

SIZE	17" L x 9" W x 13" H / 432mm L x 229mm W x 330mm H
WEIGHT	62 Lbs. / 28 Kgs.
SHIP DIMENSIONS AND WEIGHT	24"l x 24"w x 24"h, 80 Lbs. / 36 Kgs.
INLET PRESSURE	3-25 psig / .2-1.7 barg
DISCHARGE PRESSURE	2200 psig / 152 barg
FLOW CAPACITY	3-13 scfh / 1.4-6.1 L/M
DISCHARGE PORT	1/4" female NPT
COOLING	Air
APPLICATIONS	Oxygen and Inert Dry Gas Cylinder Filling
MOTOR	1/2HP / .37kW
DRIVE	Direct, 10 - 1 Gear Reduction
POWER REQUIREMENTS	220-240 VAC, 50 Hz.
MOISTURE CONTENT	Minus 40F Dew Point
CONTROLS	High Pressure Safety Shut Down
OPERATION	Continuous
FILTRATION	0.2 Micron

FLOW RATE CHART



STANDARD COMPONENTS

- THREE-STAGES OF COMPRESSION
- ELECTRIC MOTOR / GEAR DRIVE
- ON-OFF SWITCH
- START SWITCH
- SAFETY RELIEF VALVE FOR EACH STAGE
- HIGH PRESSURE SAFETY SHUT DOWN
- STANDARD IEC POWER INPUT
- EXTERNALLY ACCESSIBLE OVER CURRENT PROTECTION
- CE (EUROPEAN CONFORMITY) CERTIFICATION