



2V3B HIGH PRESSURE OXYGEN COMPRESSOR

FOR CYLINDER FILLING AND OTHER OXYGEN BOOST APPLICATIONS:
OXYGEN, NITROGEN, AND OTHER DRY INERT GASES

RIX 2V3B High Pressure Oxygen Compressors are engineered specifically for safe and reliable gas compression of oxygen and other dry inert gases. 2V3B Compressors are designed to provide a maximum discharge pressure of 2500 PSIG / 172 BARG and will fill up to sixty 240 cu. ft. 2500 PSI oxygen cylinders in a 24-hour period. The optional 2V3B-HP model provides 3000 PSIG / 207 BARG final discharge pressure. The 2V3B 3-stage compressor uses three oil-free, single-acting cylinders on a "V" type crosshead designed crankcase. Heat exchangers, crankcase, and compression cylinders are air cooled. A free-floating third stage piston allows for easy removal and replacement of both the piston and rings.

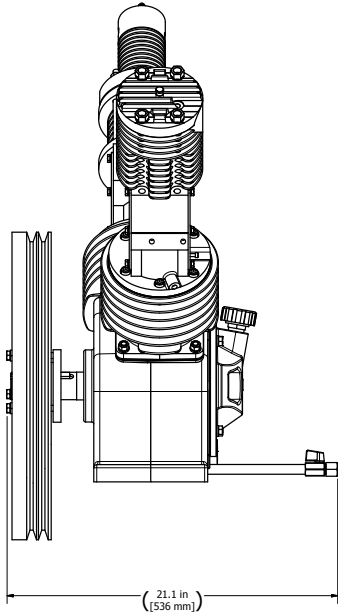
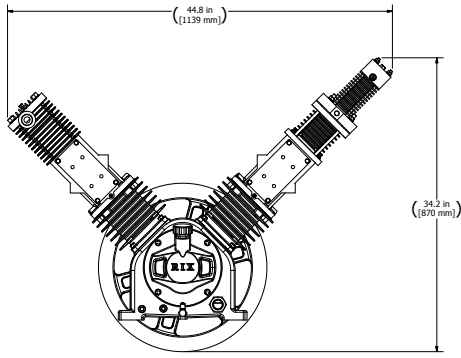
Features:

- DESIGNED AND MADE IN THE USA
- OIL-FREE DESIGN
- OXYGEN CLEANED FOR OXYGEN SERVICE
- SAFETY RELIEF VALVES
- HIGH PRESSURE SAFETY SHUT DOWN
- HEAVY DUTY
- LOW RPM FOR LONG SERVICE LIFE
- 24/7 CONTINUOUS DUTY CYCLE
- CE (EUROPEAN CONFORMITY) CERTIFICATION
- INDUSTRY LEADER IN INNOVATIVE OIL-FREE COMPRESSOR TECHNOLOGY
- PREFERRED CHOICE OF OEMS AND GOVERNMENT ENTITIES
- INDUSTRIAL-COMMERCIAL AND MILITARY USES WORLDWIDE



APPLICATIONS:

- HIGH PRESSURE CYLINDER FILLING PRODUCTION
- PSA AND VSA PRESSURE BOOST
- RESEARCH AND DEVELOPMENT
- OTHER DRY, INERT GAS PRESSURE BOOSTING



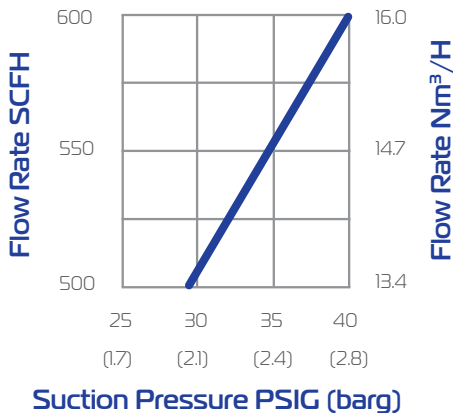
2V3B-4.IV-PI

SIZE	48" L x 22" W x 45" H / 1219mm L x 59mm W x 1143mm H
WEIGHT	720 Lbs. / 327 Kgs.
SHIP DIMENSIONS AND WEIGHT	57"l x 36"w x 53"h, 900 Lbs. / 409 kgs.
INLET PRESSURE	30-40 psig / 2.07-2.76 barg
DISCHARGE PRESSURE	2500 psig / 172 barg
FLOW CAPACITY	400-600 scfh / 187-283 L/M
DISCHARGE PORT	1/4" female NPT
COOLING	Air
APPLICATIONS	Oxygen and Inert Dry Gas Cylinder Filling
MOTOR	10 HP / 7.5 kW
DRIVE	Belt Driven
POWER REQUIREMENTS	230/460 380-415 VAC 50/60 Hz. 3 Phase
MOISTURE CONTENT	Minus 40F Dew Point
CONTROLS	High Pressure Safety Shut Down
OPERATION	Continuous
FILTRATION	60 Micron

2V3B-4.IV-HP-PI

SIZE	48" L x 22" W x 45" H / 1219mm L x 59mm W x 1143mm H
WEIGHT	720 Lbs. / 327 Kgs.
SHIP DIMENSIONS AND WEIGHT	57"l x 36"w x 53"h, 900 Lbs. / 409 kgs.
INLET PRESSURE	40-50 psig / 2.75-3.45 barg
DISCHARGE PRESSURE	3000 psig / 207 barg
FLOW CAPACITY	500-600 scfh / 235-283 L/M
DISCHARGE PORT	1/4" female NPT
COOLING	Air
APPLICATIONS	Oxygen and Inert Dry Gas Cylinder Filling
MOTOR	10 HP / 7.5 kW
DRIVE	Belt Driven
POWER REQUIREMENTS	230/460 380-415 VAC 50/60 Hz. 3 Phase
MOISTURE CONTENT	Minus 40F Dew Point
CONTROLS	High Pressure Safety Shut Down
OPERATION	Continuous
FILTRATION	60 Micron

2 V3B OXYGEN COMPRESSOR FLOW RATE CHART



STANDARD COMPONENTS

THREE-STAGE COMPRESSOR
 ELECTRIC MOTOR
 BELT DRIVE
 ON / OFF SWITCH
 PRESSURE GAUGES
 HOUR METER

HIGH PRESSURE SAFETY SHUT DOWN
 LOW PRESSURE SAFETY SHUT DOWN
 SAFETY RELIEF VALVE FOR EACH STAGE
 BELT GUARD
 HEAT EXCHANGER
 COOLING FAN