

RIX 2V

INDUSTRIAL GAS/AIR COMPRESSOR

OIL-FREE GAS OR AIR COMPRESSION TO 6,000 PSIG

RIX INDUSTRIES 2V COMPRESSOR INCLUDES:

- One to Three Stages of Oil-Free Compression
- Air or Water Cooling
- Crosshead Construction
- Continuous Duty
- Smooth and Quiet Operation
- Compact, Light Weight, Easy to Maintain Design

RIX 2V compressors feature stout crosshead construction with totally oil-free compression. Gases commonly compressed include Oxygen, Hydrogen, Argon, Helium, Nitrogen, Air, Natural Gas, CO₂, Hydrocarbon mixes and various other rare gases.

FEATURES

Cylinders are single-acting and air-cooled; water-cooled cylinders optional. Water-cooled heat exchangers are also available.

Gapless piston rings provide for maximum sealing and long life. Various Teflon based materials are available for differing applications.

Optional piston rod seals provide capture of hazardous and rare gases.

CONSTRUCTION

Crankcase: Single throw crankshaft with roller main bearings, sleeve-type rod bearings and needle piston pin bearings. The crankcase is splash lubricated.

Cylinders: Air-cooled cylinders consist of finned aluminum castings with pressed-in hardened stainless steel liners. 100% stainless steel air-cooled cylinders are available in various grades (316, 17-4, 416 etc). Water-cooled cylinders are also available.

Heads and Valves: Heads are stainless steel or aluminum. Special materials are available. Valves in air-cooled cylinders are stainless steel reed type.

Piston Rings: Piston and rider rings are made from self-lubricating Teflon based materials. High pressure stages use RIX patented spiral rings with a close fitting floating piston for tight sealing and long life. In some high pressure applications, ceramic pistons with teflon seals are used.

SPECIFICATIONS

Horsepower Range:

1 to 10 BHP

Pressure Range:

to 6000 PSIG (415 Bar)

Cylinders:

1 to 3 Stages, Oil-Free
Diameters to 4 5/8"

Stroke:

3 inches (7.6 cm)

Speed:

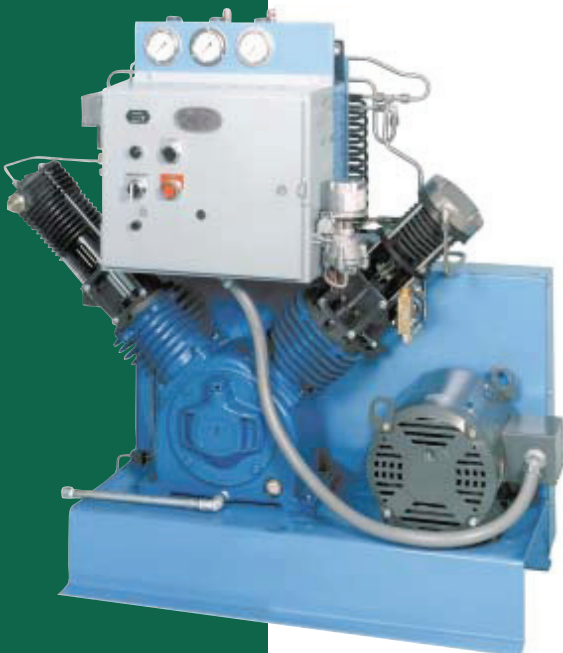
350 – 750 RPM

Typical Gases:

Oxygen, Nitrogen,
Hydrogen, Argon, Helium,
Natural Gas, Dry Air

PACKAGING

Units are available partially or fully packaged per RIX standards or to customer specifications. Dual unit skids available.



RIX 2V2
Two Stage, Oil-Free
Industrial Compressor



INDUSTRIES

RIX INDUSTRIES
4900 Industrial Way
Benicia, CA 94510 USA
707-747-5900 Phone
707-747-9200 Fax
www.rixindustries.com

ISO 9001 CERTIFIED

RIX 2V SERIES

CAPABILITIES

Inlet Pressure	Ambient Inlet			50 psig Inlet			100 psig Inlet			500 psig Inlet		
	MAX. PRESSURE (PSIG)	MAX. FLOW (SCFM)	Motor HP	MAX. PRESSURE (PSIG)	MAX. FLOW (SCFM)	Motor HP	MAX. PRESSURE (PSIG)	MAX. FLOW (SCFM)	Motor HP	MAX. PRESSURE (PSIG)	MAX. FLOW (SCFM)	Motor HP
3-stage	750	4	5	3000	15	10	3000	15	10	6000	10	10
2-stage	150	11	7.5	700	20	10	1400	20	10	3500	20	10
1-stage	50	20	7.5	200	50	10	450	50	10	1000	50	10

* Performance data based on Nitrogen

STANDARD ACCESSORIES

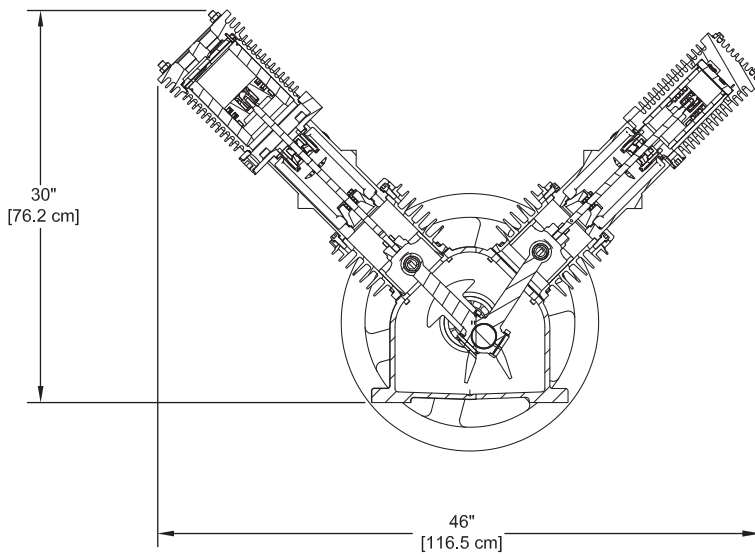
- Steel Skid
- Electric Motor & V-belt drive
- Intercooler/Aftercooler
- Electric Cooling Fan, 1/10 HP
- Nema 4 Control Box
- Safety Switches
- Pressure Gauges
- Relief Valves
- Corrosion Resistant Piping
- OSHA Beltguard

TYPICAL PACKAGE OPTIONS

- PLC Control
- TEFC or XP Motor
- Nema 7 Electrics
- Water-Cooled Inter/After Coolers
- Pulsation Bottles
- Bypass Valve
- 316 Stainless Steel Piping
- Moisture Separators

A LONG RECORD OF SUCCESS

Since 1878, RIX Industries has been engineering and manufacturing compressors for military, industrial and commercial applications. Over that long period of time, we've developed a world-wide reputation for producing a line of extraordinary, high quality products. Today, RIX compressors are providing reliable long-term service in such diverse installations as air separation plants, submarines, aircraft, steel mills and refineries.



AVAILABLE FROM:



INDUSTRIES

4900 Industrial Way
Benicia, CA 94510 USA
707-747-5900 Phone
707-747-9200 Fax
www.rixindustries.com

Bare Unit Weight: ~300 lbs. (with flywheel) 136 kg
Typical Package Dimensions: 22"W x 50"L x 46"H; Weight 720 - 1,000 Lbs.

ISO 9001 CERTIFIED