



4V4BG-11A-P03 HIGH PRESSURE OXYGEN COMPRESSOR

FOR CYLINDER FILLING AND OTHER BOOST APPLICATIONS:
OXYGEN, NITROGEN, AND OTHER CLEAN, DRY INERT GASES

RIX 4V4BG-11A-P03 High Pressure Oxygen Compressors incorporate safe and reliable design features developed for industrial and military compressor applications. 4V4BG-11A-P03 High Pressure Oxygen Compressors are designed to provide a maximum discharge pressure of 3000 PSIG /207 BARG for oxygen and other clean, dry gases. The 4V4BG-11A-P03 High Pressure Oxygen Compressor will fill up to (100) 240 cu. ft. 3000 PSI Oxygen Cylinders in a 24-hour period. 4V4BG-11A-P03 is a 4-stage compressor that uses four oil-free, single-acting cylinders on a "V" type crosshead designed crankcase. Heat exchangers, crankcase, and compression cylinders are water cooled, and the crankcase is pressure, splash-lubricated with an oxygen compatible oil. The 3rd and 4th stage pistons are free-floating to allow for easy piston and ring change-out without cylinder or piston rod removal. All heads are air-cooled and designed so they can be removed without disconnecting the cooling water piping. Replacement of the floating piston assembly typically requires only 30 minutes.

Features:

- DESIGNED AND MADE IN THE USA
- OIL-FREE DESIGN
- OXYGEN CLEANED FOR OXYGEN SERVICE
- SAFETY RELIEF VALVES
- HIGH PRESSURE SAFETY SHUT DOWN
- HEAVY DUTY
- 24/7 CONTINUOUS DUTY CYCLE
- LOW RPM FOR LONG SERVICE LIFE
- HALOCARBON CRANKCASE LUBRICATION
- CE (EUROPEAN CONFORMITY) CERTIFICATION

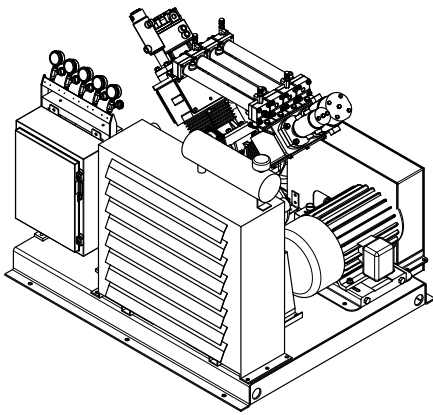
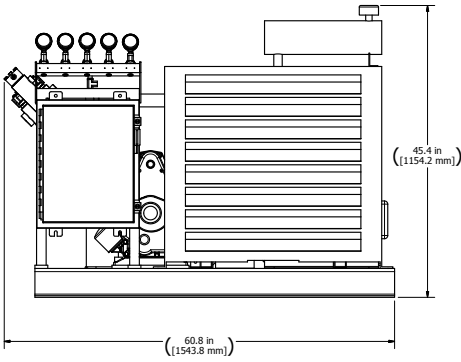


APPLICATIONS:

- HIGH PRESSURE CYLINDER FILLING
- PSA AND VSA PRESSURE BOOST
- PRODUCTION CYLINDER FILLING

4V4BG-11A-P03

SIZE	50" W x 61" L x 41" H / 1270mm L x 1549mm W x 1041mm H
WEIGHT	1650 Lbs / 750 Kgs.
SHIP DIMENSIONS AND WEIGHT	68" L x 58" W x 58" H, 1950 Lbs. / 865 Kgs.
INLET PRESSURE	3-10 psig / .2-.6 barg
DISCHARGE PRESSURE	3000 psig / 207 barg
DISCHARGE PORT	1/4" female NPT
FLOW CAPACITY	430-1150 SCFH / 11.5-30.6 Nm ³ / HR
RPM	440-840
COOLING	Water, Closed Loop
PROGRAMS	Siemens Logo Controller
APPLICATIONS	Oxygen and Inert Dry Gas Cylinder Filling
MOTOR	15 HP / 11.1 kW
DRIVE	Belt Driven
POWER REQUIREMENTS	230/460 380-415 VAC 50/60 Hz. 3 Phase
MOISTURE CONTENT	Minus 40F Dew Point
CONTROLS	High Pressure Safety Shut Down
OPERATION	Continuous
FILTRATION	Crankcase Filtration: 2 Micron



STANDARD COMPONENTS

4V4BG-11A-P03	HIGH TEMPERATURE SHUT DOWN
BEDPLATE	HIGH PRESSURE SHUT DOWN
DRIVE BELT AND BELT GUARD	LOW PRESSURE SHUT DOWN
MOTOR	PRESSURE GAUGES
MOTOR STARTER AND ON/OFF SWITCH	RADIATOR
PRESSURE GAUGES	ELECTRIC FAN
HOUR METER	WATER PUMP

4V4BG-11A-P03 OXYGEN COMPRESSOR FLOW RATE CHART

