



# 4V4B-6.1 HIGH PRESSURE OXYGEN COMPRESSOR

FOR CYLINDER FILLING AND OTHER BOOST APPLICATIONS:  
OXYGEN, NITROGEN, AND OTHER CLEAN, DRY, INERT GASES

RIX 4V4B-6.1 High Pressure Oxygen Compressors incorporate safe and reliable design developed for industrial and military compressor applications. 4V4B-6.1 High Pressure Oxygen Compressors are designed to provide a maximum discharge pressure of 3000 PSIG /207 BARG for oxygen and other inert dry gasses. The 4V4B-6.1 High Pressure Oxygen Compressor will fill up to (100) 240 cu. ft. 3000 PSI Oxygen Cylinders in a 24-hour period. 4V4B-6.1 is a 4-stage compressor that uses four oil-free, single-acting cylinders on a "V" type crosshead designed crankcase. Heat exchangers, crankcase, and compression cylinders are air cooled, and the crankcase is pressure, splash-lubricated with an automotive grade oil. The 3rd and 4th stage pistons are free-floating in order to allow for easy piston and ring change-out without cylinder or piston rod removal. Replacement of the floating piston assembly typically requires only 30 minutes.

## Features:

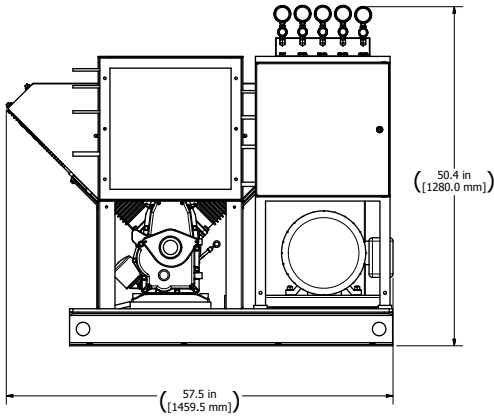
- DESIGNED AND MADE IN THE USA
- OIL-FREE DESIGN
- OXYGEN CLEANED FOR OXYGEN SERVICE
- SAFETY RELIEF VALVES
- HIGH PRESSURE SAFETY SHUT DOWN
- HEAVY DUTY
- 24/7 CONTINUOUS DUTY CYCLE
- LOW RPM FOR LONG SERVICE LIFE
- CE (EUROPEAN CONFORMITY) CERTIFICATION



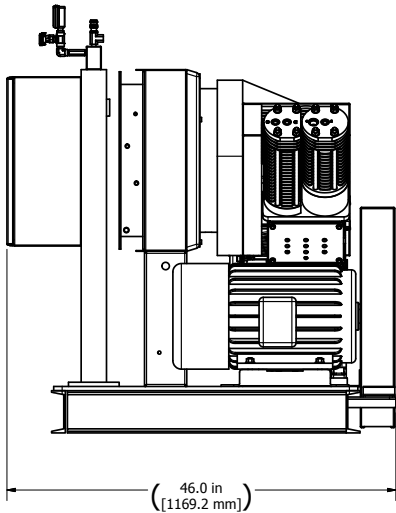
## APPLICATIONS:

- HIGH PRESSURE CYLINDER FILLING
- PSA AND VSA PRESSURE BOOST
- PRODUCTION CYLINDER FILLING

## 4V4B-6.1



SIZE ..... 61" L x 50" W x 41" H  
 WEIGHT ..... 1350 Lbs / 614 Kgs.  
 SHIP DIMENSIONS AND WEIGHT ..... 68" L x 58" W x 58" H, 1745 Lbs. / 793 Kgs.  
 INLET PRESSURE ..... 40-50 psig / 2.75-3.44 barg  
 DISCHARGE PRESSURE ..... 3000 psig / 207 barg  
 DISCHARGE PORT ..... 1/4" Female NPT  
 FLOW CAPACITY ..... 1000-1200 scfh / 26.6-32.0 Nm<sup>3</sup> / HR  
 COOLING ..... Air  
 PROGRAMS ..... Siemens Logo Controller  
 APPLICATIONS ..... Oxygen and Inert Dry Gas Cylinder Filling  
 MOTOR ..... 15 HP / 11.1 kW  
 DRIVE ..... Belt Driven  
 POWER REQUIREMENTS ..... 230/460 380-415 VAC 50/60 Hz. 3 Phase  
 MOISTURE CONTENT ..... Minus 40F Dew Point  
 CONTROLS ..... High Pressure Safety Shut Down  
 OPERATION ..... Continuous  
 FILTRATION ..... Crankcase Filtration: 2 Micron



## STANDARD COMPONENTS

|                                 |                            |
|---------------------------------|----------------------------|
| 4V4B-6.1 COMPRESSOR             | HIGH TEMPERATURE SHUT DOWN |
| BEDPLATE                        | HIGH PRESSURE SHUT DOWN    |
| DRIVE BELT AND BELT GUARD       | LOW PRESSURE SHUT DOWN     |
| MOTOR                           | PRESSURE GAUGES            |
| MOTOR STARTER AND ON/OFF SWITCH | HEAT EXCHANGER             |
| PRESSURE GAUGES                 | ELECTRIC FAN               |
| HOUR METER                      | OXYGEN CLEAN               |

## 4V4B-6.1 OXYGEN COMPRESSOR FLOW RATE CHART

