



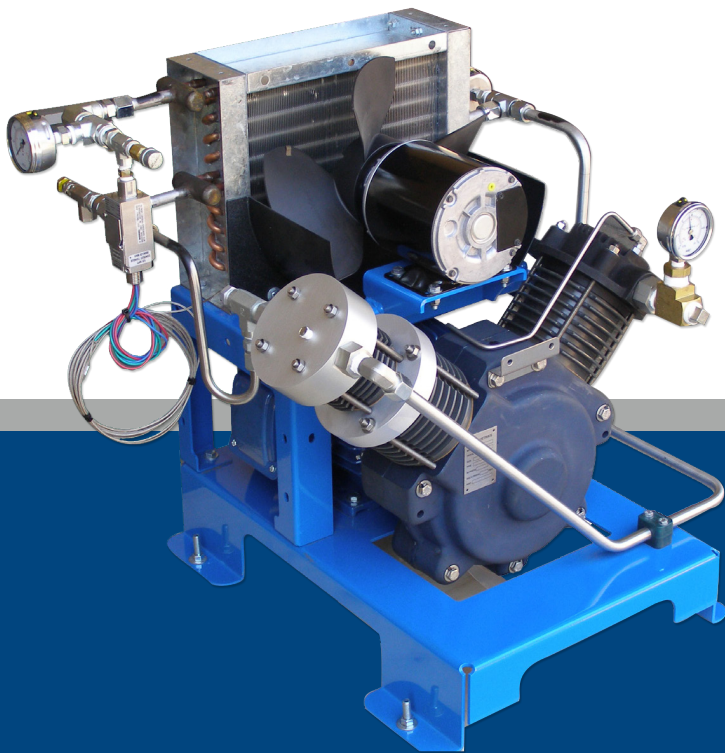
# 2TX OIL-LESS GAS COMPRESSORS

CUSTOMIZED FOR LOW AND MEDIUM PRESSURE INDUSTRIAL USES FOR: OXYGEN, HYDROGEN, HELIUM, METHANE, AIR, AND OTHER GASES

RIX 2TX Oil-Less Compressors are customizable for a variety of suction and discharge pressures. The 2TX1B is a single-stage, low pressure compressor with a maximum discharge pressure up to 150 PSIG / 10.3 BARG. The 2TX2B is a two-stage, medium pressure compressor with a maximum discharge pressure up to 450 PSIG / 31 BARG. Customizable units can use up to four oil-free, single acting cylinders on a "V" crosshead designed crankcase. Both models are available with an optional pressurized sealed crankcase for the compression of rare or hazardous gases and other special applications. Optional moisture separators can be offered for wet gases. Heat exchangers, compression cylinders, and crankcase are all air cooled. Lightweight cylinder and heads make for easy removal. Replacement of piston rings and valves can be accomplished in an hour or less.

## Features:

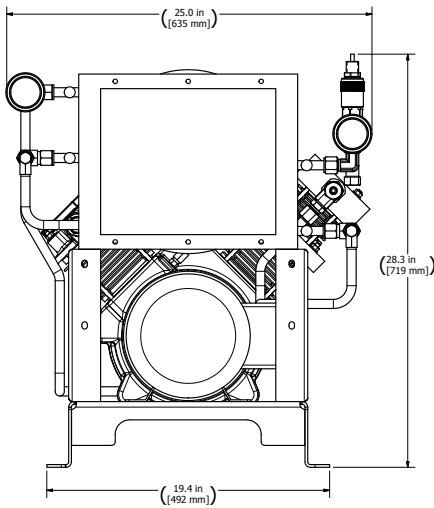
- OIL-LESS DESIGN
- MADE IN THE USA
- COMPACT DESIGN
- DIRECT DRIVE
- PROVEN SAFETY FEATURES
- 1 TO 5 HP
- CONTINUOUS DUTY
- SKID MOUNTED



## APPLICATIONS:

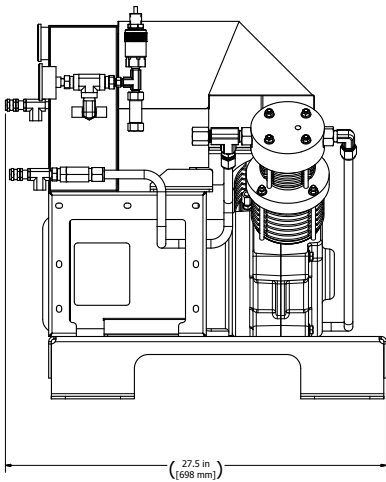
- OXYGEN PRESSURE BOOST
- FISH FARM OXYGEN
- WATER WASTE TREATMENT
- HELIUM AND RARE GAS RECOVERY
- PSA OXYGEN AND NITROGEN, INDUSTRIAL AND MEDICAL
- RESEARCH AND DEVELOPMENT

## 2TX1B

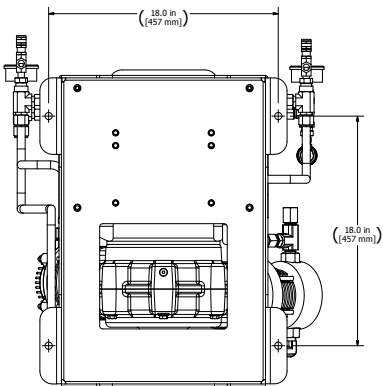


SIZE (APPROXIMATE)	28"L x 25"W x 30"H / 711mm L x 635mm W x 762mm H
WEIGHT (APPROXIMATE)	400 Lbs. / 182 kgs.
SHIP DIMENSIONS AND WEIGHT	47"L x 47"W x 47"H, 480 Lbs. / 218 Kgs.
INLET PRESSURE	3-50 psig / .2-3.4 barg
DISCHARGE PRESSURE	Up to 150 psig / 10.3 barg
COOLING	Air
APPLICATIONS	Oxygen, Dry/Wet, Inert and Hazardous Gas Pressure Boost
MOTOR	1-5 HP / .75-3.7 kW
DRIVE	Direct Drive
POWER REQUIREMENT	Most Voltages and Frequencies Available
CONTROLS	High Pressure Safety Shut Down
OPERATION	Continuous
FILTRATION	Y Strainer, 100 Mesh

## 2TX2B



SIZE (APPROXIMATE)	30"L x 30"W x 30"H / 762mm L x 762mm W x 762mm H
WEIGHT (APPROXIMATE)	400 Lbs. / 182 kgs.
SHIP DIMENSIONS AND WEIGHT	47"L x 47"W x 47"H, 480 Lbs. / 218 Kgs.
INLET PRESSURE	3-50 psig / .2-3.4 barg
DISCHARGE PRESSURE	Up to 450 psig / 31 barg
COOLING	Air
APPLICATIONS	Oxygen, Dry/Wet, Inert and Hazardous Gas Pressure Boost
MOTOR	1-5 HP / .75-3.7 kW
DRIVE	Direct Drive
POWER REQUIREMENT	Most Voltages and Frequencies Available
CONTROLS	High Pressure Safety Shut Down
OPERATION	Continuous
FILTRATION	Y Strainer, 100 Mesh



## STANDARD COMPONENTS

COMPRESSOR  
 STEEL SKID  
 MOTOR  
 INTERCOOLER AND AFTERCOOLER  
 PRESSURE GAUGES  
 RELIEF VALVES  
 HIGH PRESSURE SHUT DOWN  
 AUTO START / STOP OR LOAD / UNLOAD CONTROL

## OPTIONAL COMPONENTS

MOTOR STARTER  
 PRESSURIZED SEALED CRANKCASE  
 (0-15 PSIG INLET PRESSURE)  
 MOISTURE SEPARATOR FOR WET GASES  
 HIGH TEMPERATURE SHUT DOWN  
 VARIABLE FREQUENCY DRIVE  
 RECEIVER TANK