

## INDUSTRIAL GAS/AIR COMPRESSOR

OIL-FREE GAS OR AIR COMPRESSION TO 6,000 PSIG

### RIX INDUSTRIES 4VX COMPRESSOR INCLUDES:

- One to Five Stages of Oil-Free Compression
- Air or Water Cooling
- Crosshead Construction
- Pressure-Lube Crankcase
- Continuous Duty
- Compact, Easy to Maintain Design

The RIX 4VX compressor features heavy-duty crosshead construction in a "V" cylinder arrangement with totally oil-free compression.

#### FEATURES

**Oil-free Operation:** RIX is a world leader in oil-free compression, having built thousands of oil-free compressors for demanding applications such as pure oxygen, nitrogen, hydrogen, helium, argon, CO<sub>2</sub> and other mixed gases.

The 4VX uses gapless ring designs developed by RIX for maximum sealing and long life. Special ring materials are available for many different gases and performance requirements.

Optional piston rod seals provide capture of hazardous and rare gases.

#### Easy to Maintain

- RIX free-floating high pressure pistons allow for quick and easy ring changes.
- Four con rods on the crankshaft allow each piston and cylinder to be serviced independently.
- With oil-free operation, there are no oil separators to maintain, and no disposal of discharge oil.

#### Long Service Life

- Moderate operating speeds reduce wear on moving parts.
- Pressure-fed oil to the center main, rod bearings and wrist pins ensures long life of these critical components.
- High capacity heat exchangers and moderate compression ratios keep cylinder temperatures low.

#### CONSTRUCTION

**Crankcase:** Pressure lubricated with shaft mounted gerotor oil pump and spin-on oil filter.

**Bearings:** Tapered roller main bearings; sleeve-type center main and con rod bearings; bronze wrist pin bushings.

**Heads:** Stainless or Aluminum.

#### SPECIFICATIONS

**Horsepower:**  
10 to 50 BHP

**Cylinders:**  
1 to 5 Stages, Oil-Free  
4" Stroke

**Speed:**  
250 – 1100 RPM

**Application:**  
Industrial gases/  
Air/Oxygen

**Cylinders:** Standard air-cooled designs feature aluminum cooling fins with cast iron or hardened stainless steel liners. Stainless cooling fins also available. Water-cooled steel cylinders with field replaceable stainless liners are optional.

**Piston Rings:** Piston and rider rings are self-lubricating TFE materials. High pressure stages use RIX patented spiral piston rings with a close tolerance floating piston for long life and quick replacement.

**Valves:** Stainless steel reed type with air-cooling. Plate or poppet with water-cooling.



**RIX 4VX3B**  
Three Stage, Oil-Free  
Industrial Compressor



INDUSTRIES

RIX INDUSTRIES  
4900 Industrial Way  
Benicia, CA 94510 USA  
707-747-5900 Phone  
707-747-9200 Fax  
www.rixindustries.com

ISO 9001 CERTIFIED

# RIX 4VX SERIES

## SPECIFICATIONS

Inlet Pressure	Ambient Inlet			50 psig Inlet			100 psig Inlet			500 psig Inlet		
Performance *	MAX. PRESSURE (PSIG)	MAX. FLOW (SCFM)	Motor HP	MAX. PRESSURE (PSIG)	MAX. FLOW (SCFM)	Motor HP	MAX. PRESSURE (PSIG)	MAX. FLOW (SCFM)	Motor HP	MAX. PRESSURE (PSIG)	MAX. FLOW (SCFM)	Motor HP
4-stage	5000	30	30	6000	55	40	6000	50	30	N/A		
3-stage	1000 500	30 55	20 30	2400	65	40	5000	65	40	N/A		
2-stage	150	130	50	700	100	40	1800	100	40	6000	100	40
1-stage	50	200	50	200	200	40	500	180	40	2300	180	40

\* Performance data based on Nitrogen

### STANDARD ACCESSORIES

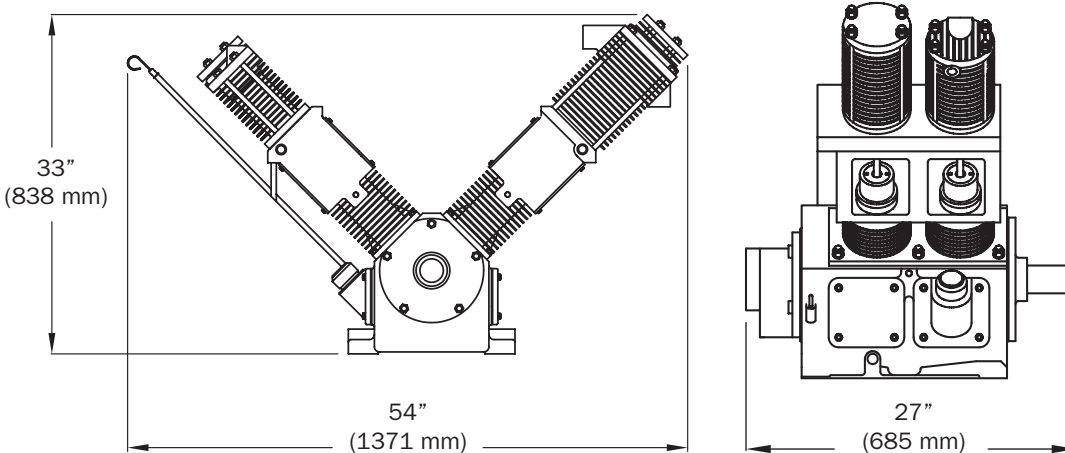
- Steel Skid
- Electric Motor & V-belt drive
- Intercoolers & Aftercooler
- Cooling Air Shroud with Fan
- TEFC Cooling Fan Motor
- Safety Switches
- Pressure Gauges
- Relief Valves
- Corrosion Resistant Piping
- OSHA Beltguard

### TYPICAL PACKAGE OPTIONS

- Complete PLC with First-out Lights
- Motor Starter
- Nema 4 or Nema 7
- Belt Drive Cooling Fan
- Water-Cooled Inter/After Cooler
- Pulsation Bottles
- Bypass Valve
- 316 Stainless Steel Piping
- Moisture Separators
- Purification System

### A LONG RECORD OF SUCCESS

Since 1878, RIX Industries has been engineering and manufacturing compressors for military, industrial and commercial applications. Over that long period of time, we've developed a world-wide reputation for producing and servicing a line of extraordinary, high quality products. Today, RIX compressors are providing reliable long-term service in such diverse installations as air separation plants, submarines, aircraft, steel mills and refineries.



AVAILABLE FROM:



4900 Industrial Way  
Benicia, CA 94510 USA  
707-747-5900 Phone  
707-747-9200 Fax  
[www.rixindustries.com](http://www.rixindustries.com)

Bare Unit Weight: 750 lbs. (with flywheel) 340 kg  
Typical Package Dimensions: 47"W x 80"L x 45"H; Weight 2,000 - 3,000 Lbs.

ISO 9001 CERTIFIED